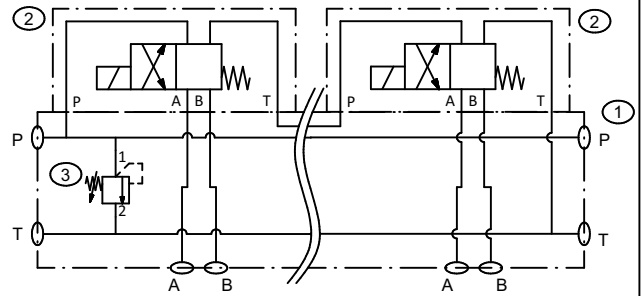
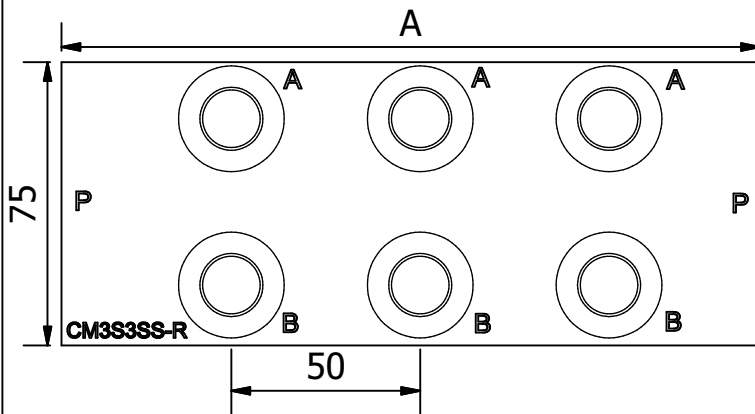
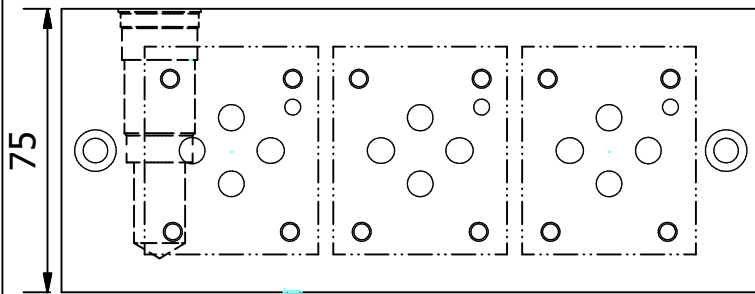
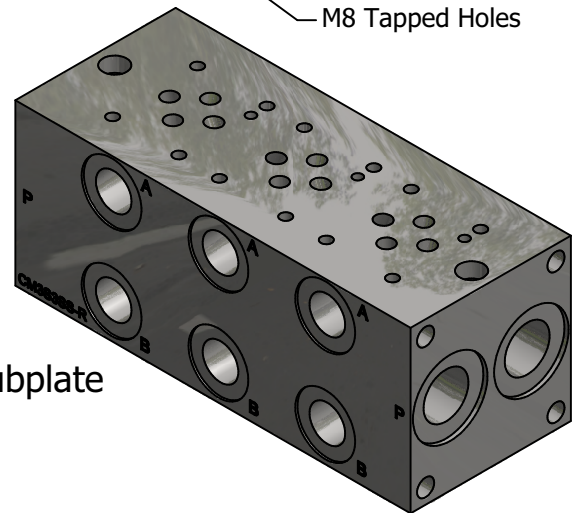
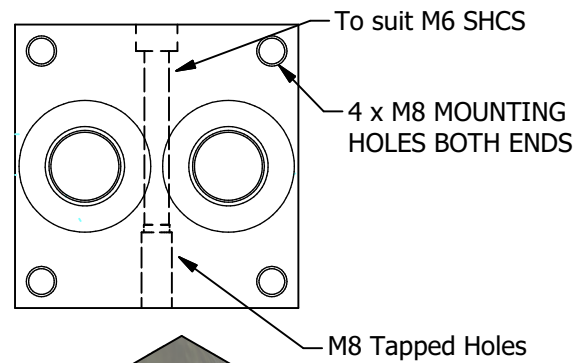


MULTI-STATION CETOP 3, SERIES SUBPLATE WITH OPTIONAL RELIEF



ITEM ID	PART NUMBER	DESCRIPTION
1	CM3S*SS-R	MULTI-STATION CETOP 3 SUBPLATE
2	*****	CETOP 5 VALVE
3	RDDA-LCN/AP	OPTIONAL RELIEF VALVE

ITEM ID	PORT SIZE
A, B	G 3/8-19
P, P, T, T	G 1/2-14



Part Number: CM*S3SS-*

Description: Multi-station Cetop 3 Series Subplate

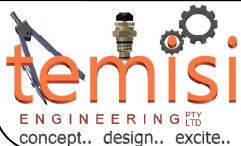
Material: 316 Stainless Steel

Max Pressure: 350 Bar

Relief Valve: RDDA-LCN/AP

Directional Valves: Wandfluh, Atos

Part No.	Price	Part No. With Relief	Price	Dimension A	Weight Kg
CM2S3SS	\$1333	CM2S3SS-R	\$2520	135	5.2
CM3S3SS	\$1555	CM3S3SS-R	\$2798	185	6.9
CM4S3SS	\$2361	CM4S3SS-R	\$3604	235	9



Temisi Engineering Pty Ltd
65 Shaun Parade
Elimbah, 4516
QLD
Web: www.Temisi.com
Email: Sales@temisi.com

This document contains Proprietary Information and is NOT to be Reproduced without the Written Permission from TEMISI ENGINEERING PTY LTD.
Dimensions, Specifications and Prices are Subject to change without notice.

MULTI-STATION CETOP 3
SERIES WITH RELIEF

Section
A